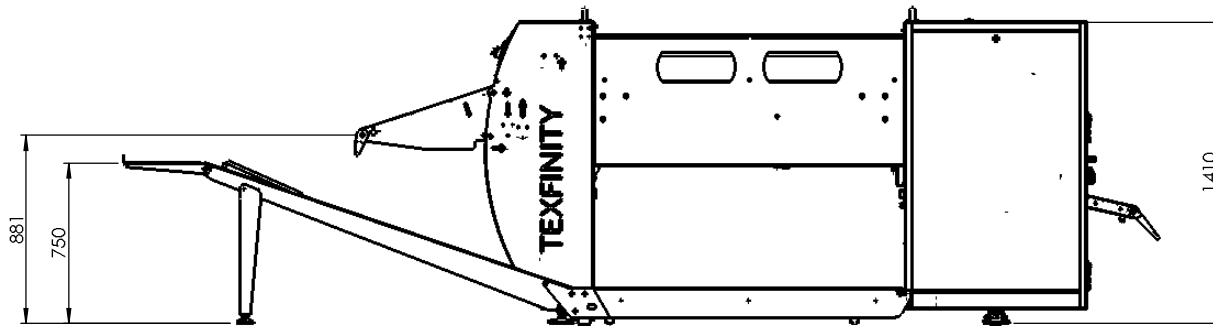
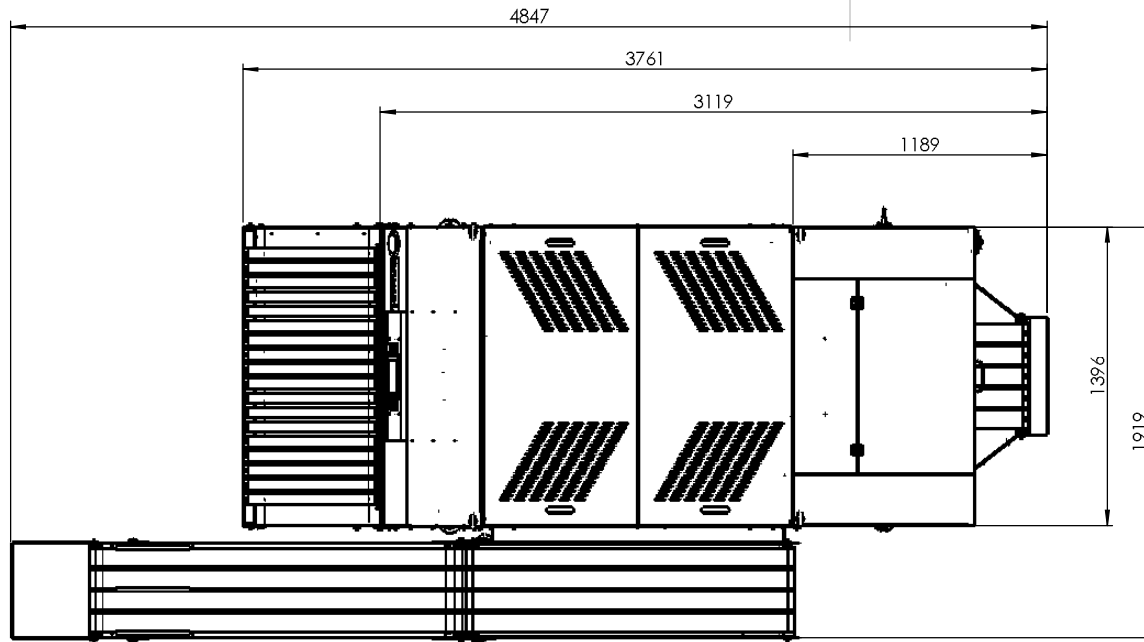


1 2 3 4 5 6 7 8

A  
B  
C  
D  
E  
F



		NEN 3637/8 „Ra in micron (µm)“		TOLERANCES UNLESS OTHERWISE STATED TOLERANTIES TENZIET ANDERS VERMELD		ORDER NO. COMM. NR.		QUANT. AANT.	
GENERAL ROUGHNESS ALGEMENE RUWHEID		UNIT EENHEID		DIMENSION MAAT		ANGLE HOEK		COMMENT OPMERKING	
3.2		mm		±0.2		±1		Samenstelling	
SCALE SCHAL		PROF. AFZ.		TREATMENT VERHANDELING		DRAWING NO. / TEKENINGNR.		-	
1:25				-		TITEL / DESIGNATION T-Towel short T-Towel short		1000-00-0-T-Towel-short	
		Texfinity NV 10ge Maaiw118 3-2070 Anarendok TEL +32 14 781850 FAX +32 14 780759 www.texfinity.com		DESIGNED BY CONSTRUCTEUR		E. Vanspauwen		DRAWN BY TEKENAAR	
CREATION DATE START DATUM		15/11/2010		PRINT DATE AFDRUKDATUM		19/03/2015		Project nr: T-towel	
SHEET BLAD		3 /		SHEET BLAD		3		SIZE FORMAAT	
A3		A3		A3		A3		A3	

THE DATA INFORMATION DISCLOSED ON THIS DRAWING ARE EXCLUSIVE PROPERTY OF TEFINITY ©  
 ALL RIGHTS RESERVED. NO PART OF THIS DRAWING AND/OR DATA AND INFORMATION  
 HEREIN MAY BE REPRODUCED OR TRANSMITTED IN ANY FORM OR BY ANY MEANS  
 WITHOUT THE WRITTEN PERMISSION OF TEFINITY IS FORBIDDEN.